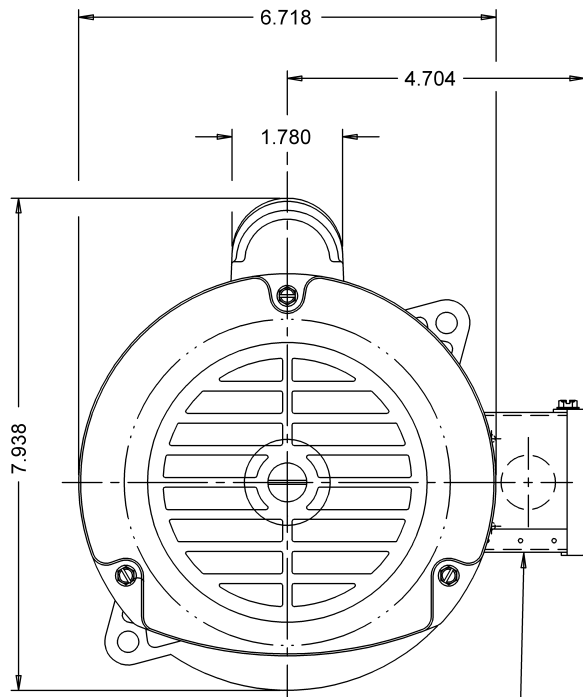




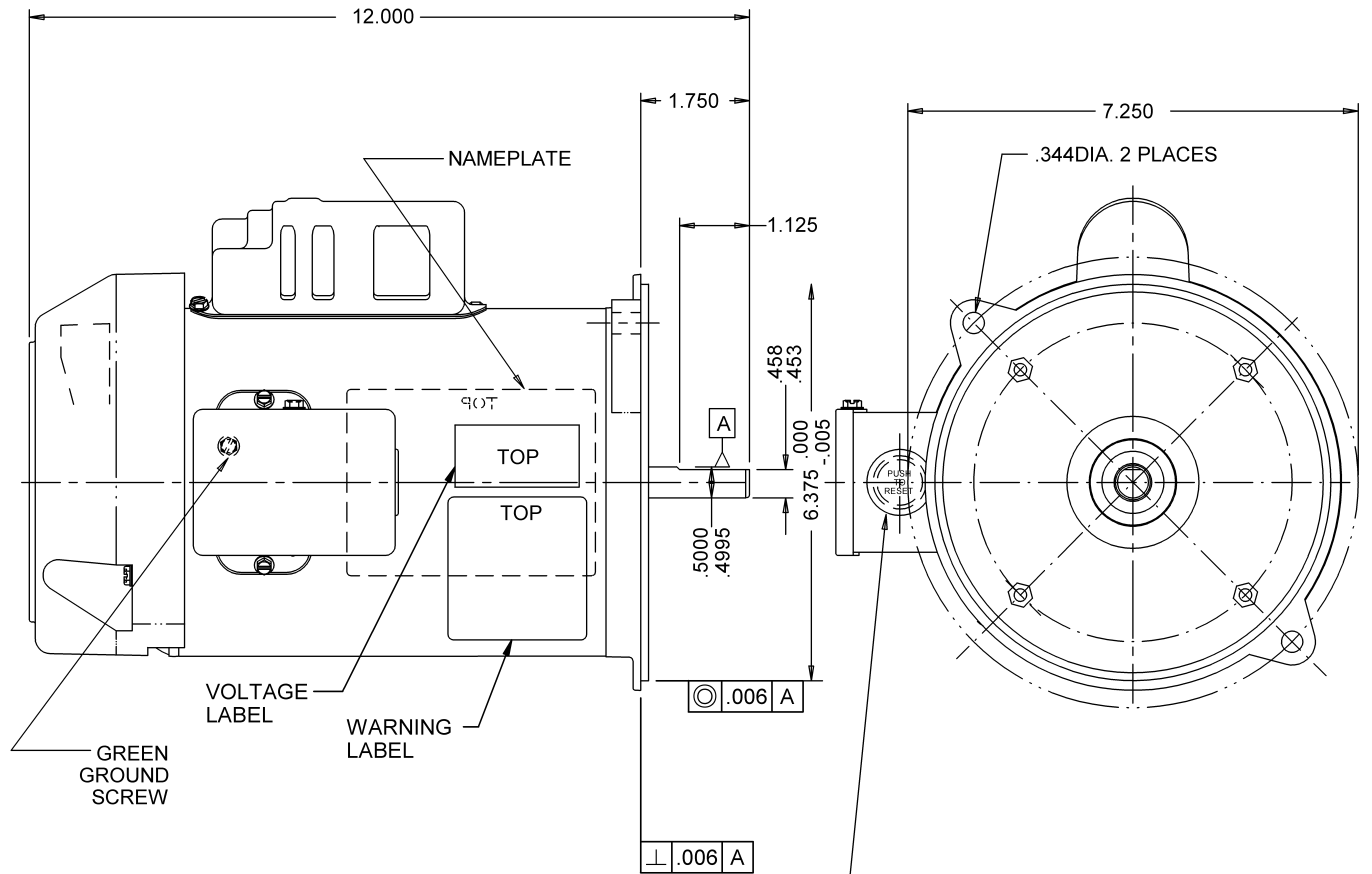
## Catalog #: FD12CM2PZYR

Model_Number:	C055JYJ4744024B
PRODUCT NAME:	.5 HP - TEFC - 1725
PHASETYPE:	1_CAPACITOR START
MOTOR ENCLOSURE:	TEFC
HORSEPOWER:	.5
KILOWATTS:	0.4
POLES:	4
NUMBER SPEEDS:	1
RPM:	1725
RPM 2:	1425
HERTZ:	60
HERTZ 2:	50
VOLTS PRIMARY:	115/230 V
VOLTS :	115
VOLTS 2:	230
FRME :	56
SHAFT CODE:	YZ
STATOR DIAMETER:	5.5
STACK:	2.75
MOUNTING:	FLANGE
MOTOR TYPE:	FHP
OPPOSITE END BEARING:	BALL
SHAFT END BEARING:	BALL
AMBIENT:	40
ROTATION:	REVERSIBLE
SERVICE FACTOR:	1
STARTCAPMFD:	473
SHIPPING WEIGHT:	22
THERMAL PROTECTION:	MANUAL RESET
BREAKDOWN TORQUE:	79.15
BREAKDOWN TORQUE UOM:	OZFT
LOCKED ROTOR TORQUE:	113.1
LOCKED ROTOR TORQUE UOM:	OZFT
INSULATION CLASS:	B
KVA CODE LETTER:	M
LOCKED ROTOR AMPS:	43.85
FULL LOAD AMPS PRIMARY:	8.6/4.3 & 10.4/5.4
SERVICE FACTOR AMPS PRIMARY:	8.6/4.3 & 10.4/5.4



7 LEADS, #18 GAGE, WITH .750" SKINNED TERMINATION. 5 LEADS TO BE 6.000±1.000 INSIDE CONDUIT BOX P1 & P2 LEADS TO BE 4.000±1.000 INSIDE CONDUIT BOX

REV B



SHIPPED - CONNECTED FOR HIGH VOLTAGE

MODEL	REF	CUSTOMER	HP	VOLTS	AMPS	HZ	RPM	ROTATION	CUSTOMER PN	
C55BXJYJ-4744	-----	USEM	1/2	115/230	8.6/4.3&10.4/5.4	60&50	1725&1425	CW LEAD END REV.	FD12CM2PZYR	
SHEET NUMBER 1 OF 1	REV B	REVISION RECORD FOR: C5597-00			INFORMATION DISCLOSED ON THIS DOCUMENT IS CONSIDERED PROPRIETARY AND SHALL NOT BE REPRODUCED OR DISCLOSED WITHOUT WRITTEN CONSENT OF NIDEC MOTOR CORPORATION				NIDEC MOTOR CORPORATION	
DELETED NOTE OF .875 DIA. KNOCKOUTS IN CONDUIT BOX										
REVISION DATE 18-MAY-12										
ISSUED BY A. SANCHEZ	REVIEWED BY T. BOSSALLER	ENGINEER APPROVED T. BOSSALLER	TITLE ASSEMBLED VIEW				CODE V01	ITEM NO. 761374	SIZE B	

NIDEC MOTOR CORPORATION 19-May-12

## Special Application Agriculture Auger Duty Motors



CAPACITOR START

### APPLICATIONS:

For use on augers.

### FEATURES:

- Totally Enclosed Fan Cooled (except where noted)
- Class B Insulation
- Manual Reset Thermal Overload Protector
- 1/2 HP & Above Have ODE Shaft Extension for Hand Crank
- Ball Bearings
- 56Y are Keyed; 56YZ are Flat Shaft
- Reversible Rotation
- Footless (except where noted)

### Capacitor Start

HP	RPM	Voltage	Frame	Catalog Number	List	Discount Symbol	SF	"C" Dim. (inches)	Ship Wt. (lbs)	Full Load Amps	Notes
1/2	1800	115/230	56YZ	1843	\$644	DS-3FMP	1.00	11.6	29	8.0/4.0 & 9.6/4.8	98
	1800	115/230	56Y	FD12CM2PZY	\$515	DS-3FMP	1.00	11.6	32	8.0/4.0 & 9.6/4.8	98, FT
	1800	115/230	56Y	FD12CM2PZYR	\$495	DS-3FMP	1.00	12.0	22	8.6/4.3 & 10.4/5.4	95,98
3/4	1800	115/230	56Y	1801	\$590	DS-3FMP	1.00	12.9	38	10.6/5.3 & 11.8/5.9	
	1800	115/230	56YZ	FD34CM2PZY	\$568	DS-3FMP	1.00	12.6	32	10.6/5.3 & 11.8/5.9	98, FT
	1800	115/230	56YZ	FD34CM2PZYR	\$590	DS-3FMP	1.00	12.6	32	10.6/5.3 & 11.8/5.9	95,98
1	1800	115/208-230	56Y	FD1CM2PZY	\$652	DS-3FMP	1.00	12.9	36	12.8/6.5-6.4	FT
1 1/2	1800	115/230	56Y	FD32CM2PHZY	\$814	DS-3FMP	1.15	13.9	45	16.2/8.1	FT

### Split Phase

HP	RPM	Voltage	Frame	Catalog Number	List	Discount Symbol	SF	"C" Dim. (inches)	Ship Wt. (lbs)	Full Load Amps	Notes
1/3	1800	115/230	56Y	FD13BM2PZYR	\$313	DS-3FMP	1.00	11.5	22	5.3/2.6&5.9/3.0	28,95

### Three Phase

HP	RPM	Voltage	Frame	Catalog Number	List	Discount Symbol	SF	"C" Dim. (inches)	Ship Wt. (lbs)	Full Load Amps	Notes
1/3	1800	190/380 & 208-230/460	56Y	FD13SM2DZYR	\$424	DS-3FMP	1.00	11.2	26	2.0/1.0 & 1.8-2.0/1.0	
1/2	1800	190/380 & 208-230/460	56Y	FD12SM2DZYR	\$467	DS-3FMP	1.00	11.8	17	2.2/1.1 & 2.0-2.0/1.0	
3/4	1800	190/380 & 208-230/460	56Y	FD34SM2DZYR	\$526	DS-3FMP	1.00	11.8	27	3.0/1.5 & 2.7-2.6/1.3	
1	1800	190/380 & 208-230/460	56Y	FD1PM2DZYR	\$549	DS-3FMP	1.15	13.0	36	3.5/1.8 & 3.3-3.2/1.5	
1 1/2	1800	190/380 & 208-230/460	56Y	FD32PM2DZYR	\$633	DS-3FMP	1.15	14.0	38	4.5/2.2 & 4.5-4.5/2.2	

Note 28 TENV Enclosure  
 Note 95 Nitride shaft  
 Note 98 50/60 Hz Motor  
 Note FT Footed